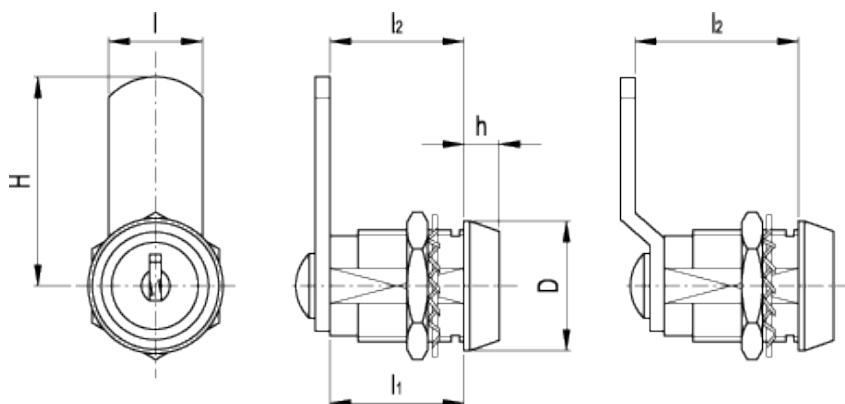


# CS.

Latches with lock



technical informations

**Stator**

Brass-plated zinc alloy.

**Rotor**

Chrome-plated zinc alloy.

**Front plate**

Stainless steel.

**Nut**

Brass (M19x1).

**Flat spring washer**

Zinc-plated steel.

## Closing lever

Zinc-plated steel, 2.5 mm thickness. Assembly by means of hexagonal nut M6x0.75 (l1=13 and 16 mm), with screw M5x5 (l1=20 mm) or with screw M5x8 (l1=25 and 30 mm).

## Two keys

Nickel-plated brass, removable in two positions at 180°.

## Rotation

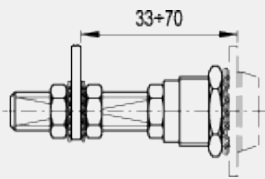
180°.

## Standard executions available

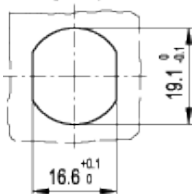
- CS.: lock with 400 different combinations. Each lock has a key with different combination.
- CSU.: lock with one combination. All locks have a key with the same combination.

## Special executions and accessories (For sufficient quantities)

- Closing levers in other dimensions.
- Brass threaded extension for prolonged positioning of the lever, only for stator lengths 20, 25 and 30 mm (code 421137 description C.PQ M5/58).



## Drilling template



Standard Elements		Main dimensions						Weight
Code	Description	H	l <sub>1</sub>	l <sub>2</sub>	D	h	l	g
421411	CS.13-32-13	32	13	13	23	5	16	41
421413	CS.16-32-16	32	16	16	23	5	16	47
421415	CS.20-32-20	32	20	20	23	5	16	55
421417	CS.25-32-25	32	25	25	23	5	16	64
421419	CS.30-32-30	32	30	30	23	5	16	73
421431	CS.13-36-18	35.5	13	18	23	5	16	43
421433	CS.16-36-21	35.5	16	21	23	5	16	49
421435	CS.20-36-25	35.5	20	25	23	5	16	57
421437	CS.25-36-30	35.5	25	30	23	5	16	66
421439	CS.30-36-35	35.5	30	35	23	5	16	75
421451	CSU.13-32-13	32	13	13	23	5	16	41
421453	CSU.16-32-16	32	16	16	23	5	16	47
421455	CSU.20-32-20	32	20	20	23	5	16	55
421457	CSU.25-32-25	32	25	25	23	5	16	64
421459	CSU.30-32-30	32	30	30	23	5	16	73

421471	CSU.13-36-18	35.5	13	18	23	5	16	43
421473	CSU.16-36-21	35.5	16	21	23	5	16	49
421475	CSU.20-36-25	35.5	20	25	23	5	16	57
421477	CSU.25-36-30	35.5	25	30	23	5	16	66
421479	CSU.30-36-35	35.5	30	35	23	5	16	75

---



ELESA and GANTER models all rights reserved in accordance with the law. Always mention the source when reproducing our drawings.

**STANDARD MACHINE ELEMENTS WORLDWIDE**